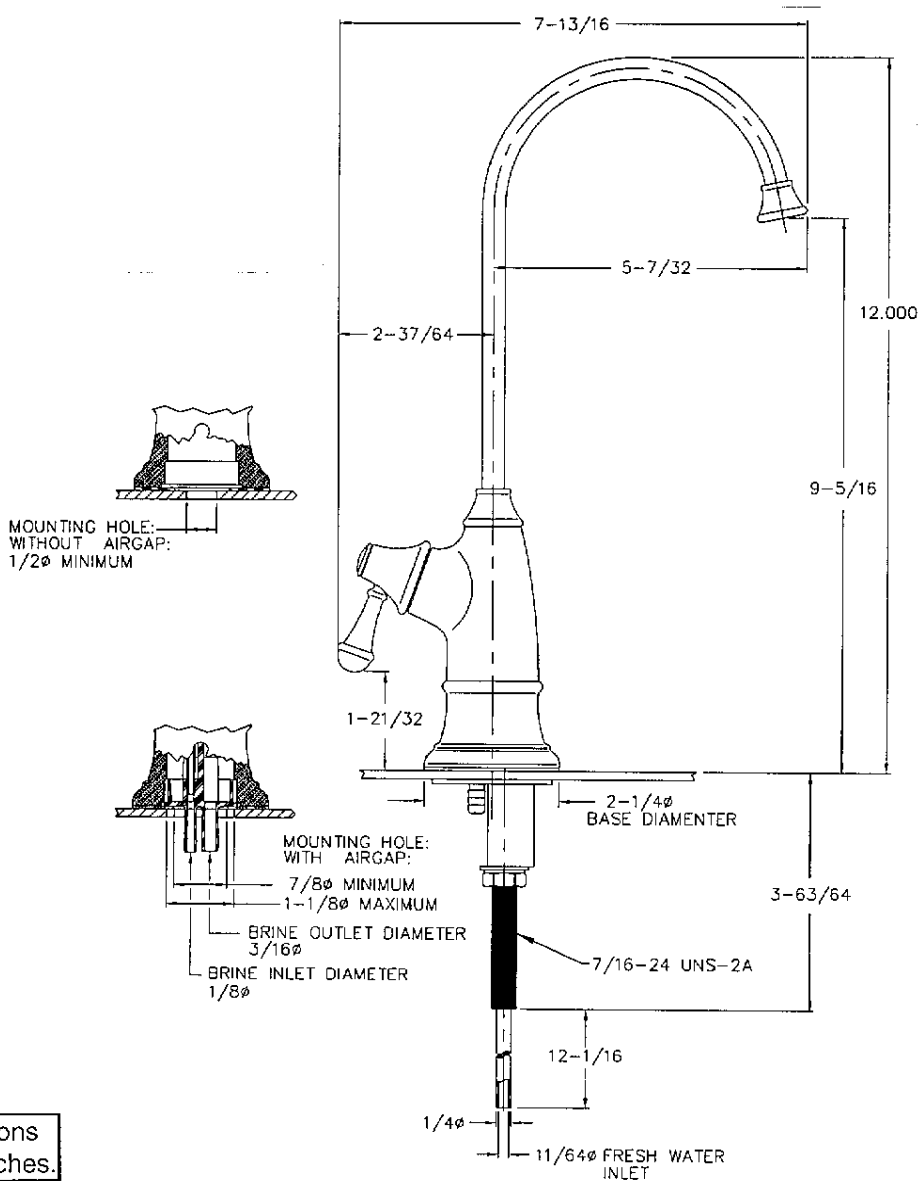


Designer RO Faucet



Dimensions
are in inches.



tomlinson®

www.tomlinsonind.com
216/587-3400 ext. 279
Fax: 216/587-0733

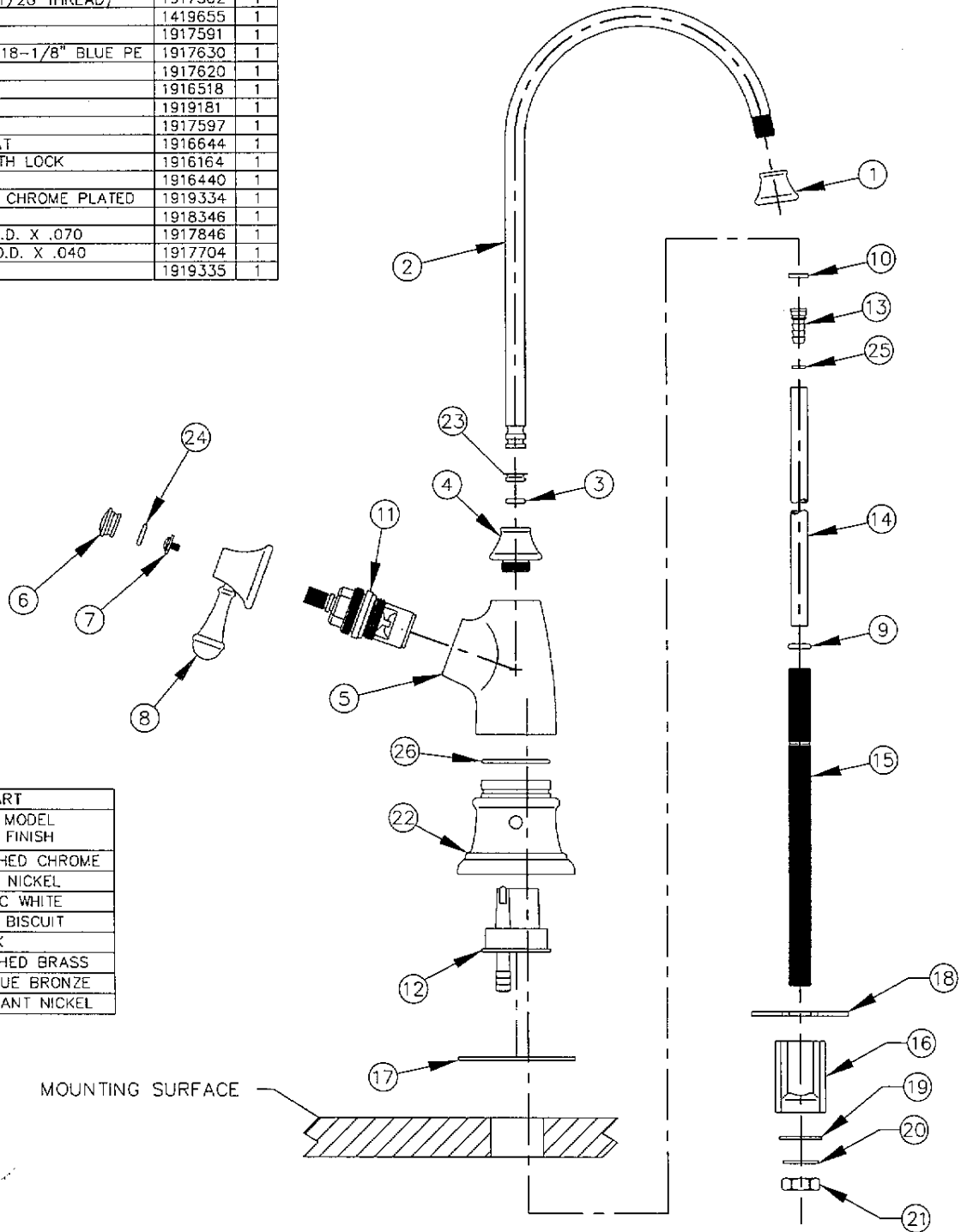
Printed in U.S.A. ©Tomlinson Industries 2005

Technical Specifications:

The Designer RO Faucet is NSF listed to ANSI Std. 61-1999A.

Spout reach:	5" (127 mm)
Overall height:	12" (305 mm)
Pressure rating:	125 PSI/8.3 BAR
Flow rate:	
at 35 PSI/2.32BAR:	1.0 gpm 3.785 lpm
Temperature rating:	40°F/4°C to 150°F/66°C
Mounting hole diameter:	1/2" without airgap 7/8" with airgap

ITEM	DESCRIPTION	PART NO.	QTY.
1	TIP, 77PBR SPOUT CHROME PLATED	1919328	1
2	GOOSENECK, 78KBR CHROME PLATED	1917350	1
3	O'RING, 40063-3	1916647	1
4	CAP, 78PGL GOOSENECK LOCK CHROME PLATED	1919330	1
5	BODY, 600PBR BRASS CHROME PLATED W/HOLE	1919331	1
6	COVER, 3KPL CHROME PLATED	1917588	1
7	SCREW, 212-11 M4x8MM SS W/WASHER	1917587	1
8	HANDLE/CAP ASSY	1419654	1
9	O RING, 359 11.2mm X 7.65mm X 1.78mm	1918610	1
10	WASHER, 79K RUBBER	1917956	1
11	CARTRIDGE, 600KC (1/4 TURN 1/2G THREAD)	1917362	1
12	AIRGAP ASSY	1419655	1
13	INSERT, 172KSS	1917591	1
14	TUBING, 1/4 O.D.x.040 WALL x 18-1/8" BLUE PE	1917630	1
15	FITTING, 125KBRL INLET TUBE	1917620	1
16	SPACER, AIR GAP (PF125AG)	1916518	1
17	WASHER, 188KAGE NITRILE	1919181	1
18	WASHER, 187KAG MOUNTING	1917597	1
19	WASHER, 20262-3 7/16 ID FLAT	1916644	1
20	WASHER, 7-729 INTERNAL TOOTH LOCK	1916164	1
21	NUT, 7-803-1 7/16-24	1916440	1
22	BASE, 77PB MAG MOUNT W/HOLE CHROME PLATED	1919334	1
23	WASHER, 80KS FLANGED	1918346	1
24	O RING, 334 .301 I.D. X .441 O.D. X .070	1917846	1
25	O RING, 323 .208 I.D. X .288 O.D. X .040	1917704	1
26	O RING, 1.313 X 1.176 X .070	1919335	1



MODEL NUMBER	ITEM NUMBER	MODEL FINISH
600PBRAC	1019299	POLISHED CHROME
600PBRAG/SN	1019301	SATIN NICKEL
600PBRAG/AW	1019303	ARCTIC WHITE
600PBRAG/LB	1019305	LIGHT BISCUIT
600PBRAG/BLK	1019307	BLACK
600PBRAG/B	1019309	POLISHED BRASS
600PBRAG/AB	1019311	ANTIQUÉ BRONZE
600PBRAG/BN	1019444	BRILLIANT NICKEL